

DATASHEET

TBK-IR200-30

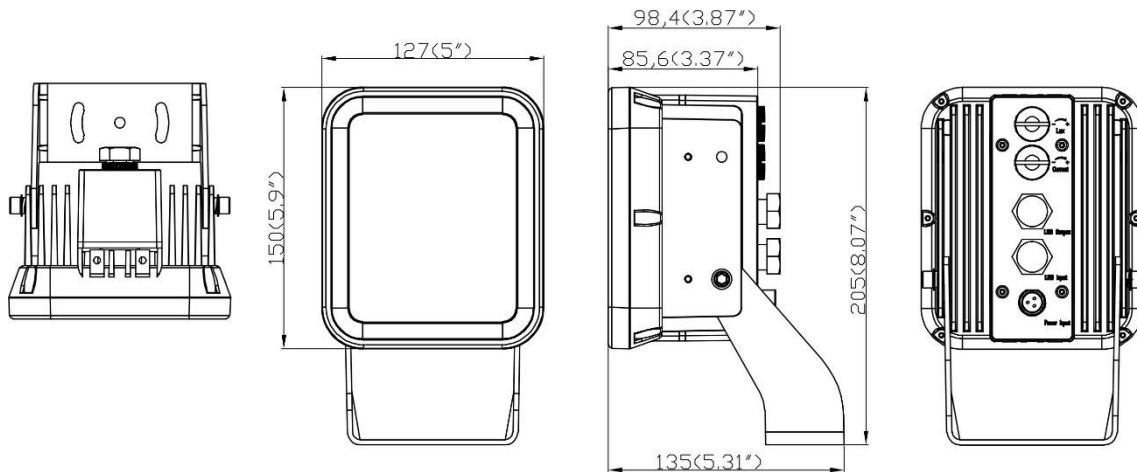


MAIN FEATURES

- IR effective distance: 200 m.
- IR effective degree: 30°
- Built-in 20 Super High power LEDs.
- Adjustable IR intensity.
- Autoswitch on, with adjustable lux level.
- Dual power: CD12V/AC24V.
- Aluminium housing, IP66.
- Dimensions: 205 x 127 x 135 mm.

Infrared illuminator, providing 200 meters and 30 degree effective illumination range. Adjustable IR intensity. Easy installation, as the illuminator includes the bracket and a photocell to switch on automatically (when the environment illumination becomes darker than the adjusted lux level).

DIMENSIONS





TBK-IR200-30

SPECIFICATIONS

CAMERA	
IP Rating	IP66
Type	Outdoor
Luminaire	850nm Super High Power LEDs
Angle	30°(Outdoor)
Emissive Power	42W
Outdoor Distance	200M (Outdoor)
Control	CDS / Adjustable
Power supply	DC12V±10%/AC24V±10%
Current Consumption	DC3000mA/ AC1850mA(Max)
Dimension	205 x 127 x 135 mm
Weight	1640g
Storage Temperature	-30~+60°C (-22~+140°F)
Operating Temperature	-30~+40°C (-22~+104°F)